

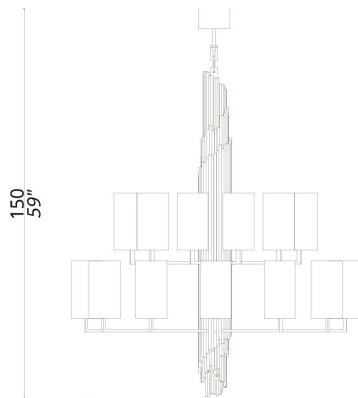
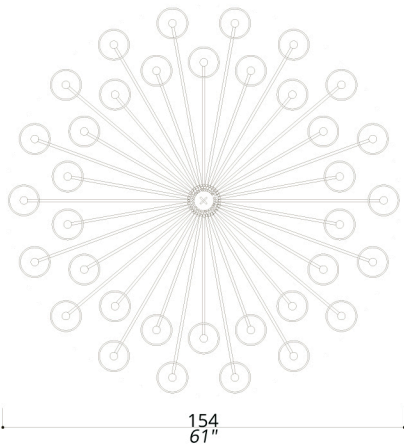
2811-BB-41

CHANDELIER

2 LAYERS CHANDELIER. CENTRAL STRUCTURE OF SOLID BRASS STICKS. 50 CENTIMETRES OF CHAIN INCLUDED.

36 LIGHTS
TYPE E14

STRUCTURE AND CONNECTION BOX IN F_10 (NATURAL BRASS) AND F_13 (BURNISHED BRASS FINISH). SHADES IN TS_41 (SAGE GREEN SATIN).



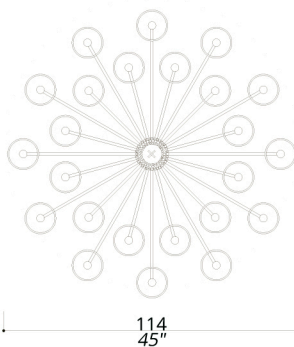
2812-BB-41

CHANDELIER

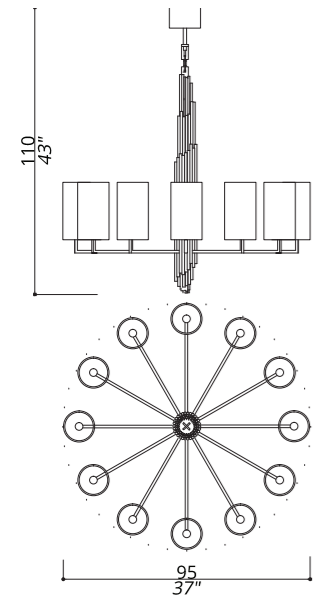
2 LAYERS CHANDELIER. CENTRAL STRUCTURE OF SOLID BRASS STICKS. 50 CENTIMETRES OF CHAIN INCLUDED.

24 LIGHTS
TYPE E14

STRUCTURE AND CONNECTION BOX IN F_10 (NATURAL BRASS) AND F_13 (BURNISHED BRASS FINISH). SHADES IN TS_41 (SAGE GREEN SATIN).



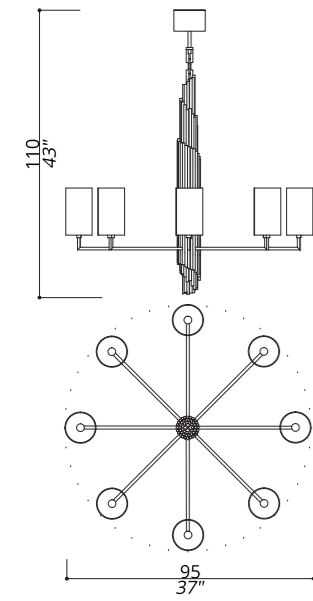
SHINE



2813-BB-41 CHANDELIER CENTRAL STRUCTURE OF SOLID BRASS STICKS. 50 CENTIMETRES OF CHAIN INCLUDED. 12 LIGHTS TYPE E14

STRUCTURE AND CONNECTION BOX IN F_10 (NATURAL BRASS) AND F_13 (BURNISHED BRASS FINISH). SHADES IN TS_41 (SAGE GREEN SATIN).

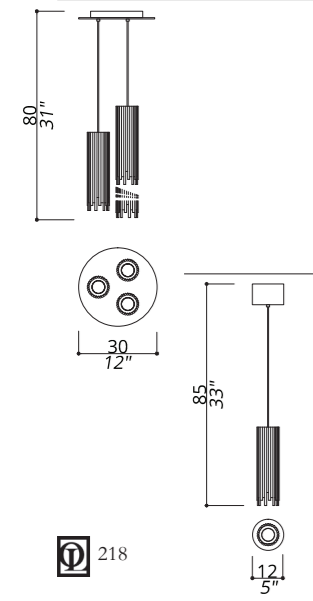
2813-NN-41 STRUCTURE AND CONNECTION BOX IN F_31 (POLISHED NICKEL FINISH) AND F_33 (SATIN NICKEL FINISH). SHADES IN TS_41 (SAGE GREEN SATIN).



2817-BB-41 CHANDELIER CENTRAL STRUCTURE OF SOLID BRASS STICKS. 50 CENTIMETRES OF CHAIN INCLUDED. 8 LIGHTS TYPE E14

STRUCTURE AND CONNECTION BOX IN F_10 (NATURAL BRASS) AND F_13 (BURNISHED BRASS FINISH). SHADES IN TS_41 (SAGE GREEN SATIN).

2817-NN-41 STRUCTURE AND CONNECTION BOX IN F_31 (POLISHED NICKEL FINISH) AND F_33 (SATIN NICKEL FINISH). SHADES IN TS_41 (SAGE GREEN SATIN).

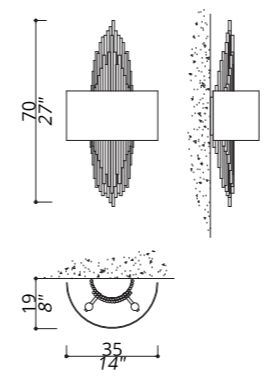


2815-BB TRIPLE PENDANT STRUCTURE AND CONNECTION BOX IN F_10 (NATURAL BRASS) AND F_13 (BURNISHED BRASS FINISH) 3 LED LIGHTS INCLUDED

2815-NN STRUCTURE AND CONNECTION BOX IN F_31 (POLISHED NICKEL FINISH) AND F_33 (SATIN NICKEL FINISH)

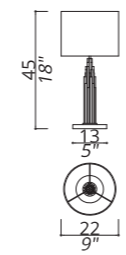
2816-BB PENDANT STRUCTURE AND CONNECTION BOX IN F_10 (NATURAL BRASS) AND F_13 (BURNISHED BRASS FINISH) 1 LED LIGHT INCLUDED

2816-NN STRUCTURE AND CONNECTION BOX IN F_31 (POLISHED NICKEL FINISH) AND F_33 (SATIN NICKEL FINISH)



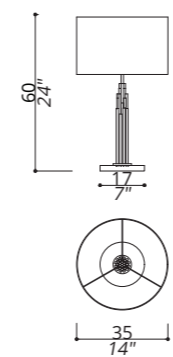
2822-BB-41 WALL LAMP STRUCTURE AND WALL FIXTURE IN F_10 (NATURAL BRASS) AND F_13 (BURNISHED BRASS FINISH). SHADE IN TS_41 (SAGE GREEN SATIN). 2 LIGHTS TYPE E14

2822-NN-41 STRUCTURE AND WALL FIXTURE IN F_31 (POLISHED NICKEL FINISH) AND F_33 (SATIN NICKEL FINISH). SHADE IN TS_41 (SAGE GREEN SATIN).



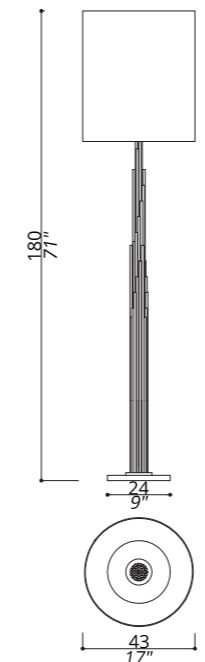
2831-BB-41 TABLE LAMP STRUCTURE AND BASE IN F_10 (NATURAL BRASS) AND F_13 (BURNISHED BRASS FINISH). METAL BASE. SHADE IN TS_41 (SAGE GREEN SATIN). 1 LIGHT TYPE E14

2831-NN-41 STRUCTURE AND CONNECTION BOX IN F_31 (POLISHED NICKEL FINISH) AND F_33 (SATIN NICKEL FINISH). METAL BASE. SHADE IN TS_41 (SAGE GREEN SATIN).



2833-BB-41 TABLE LAMP STRUCTURE AND BASE IN F_10 (NATURAL BRASS) AND F_13 (BURNISHED BRASS FINISH). METAL BASE. SHADE IN TS_41 (SAGE GREEN SATIN). 1 LIGHT TYPE E27

2833-NN-41 STRUCTURE AND CONNECTION BOX IN F_31 (POLISHED NICKEL FINISH) AND F_33 (SATIN NICKEL FINISH). METAL BASE. SHADE IN TS_41 (SAGE GREEN SATIN).



2841-BB-41 FLOOR LAMP STRUCTURE AND CONNECTION BOX IN F_10 (NATURAL BRASS) AND F_13 (BURNISHED BRASS FINISH). METAL BASE 1 LIGHT TYPE E27